



MINING INDUSTRY



>> One Single Partner for all Your Needs <<

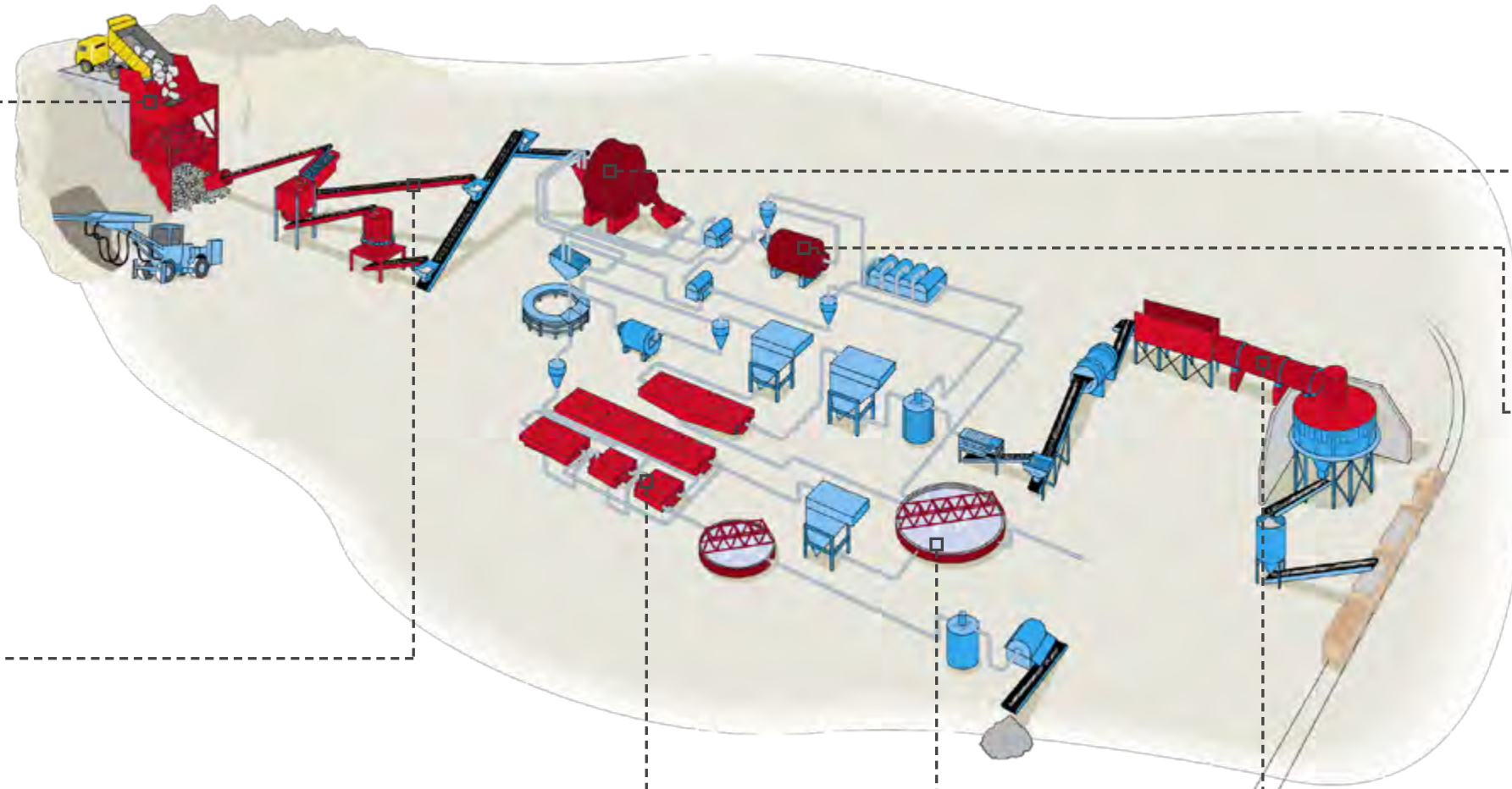
Gear \varnothing 13020 mm - in FerryNod[®] 320
Dual drive - 2x6750 kW



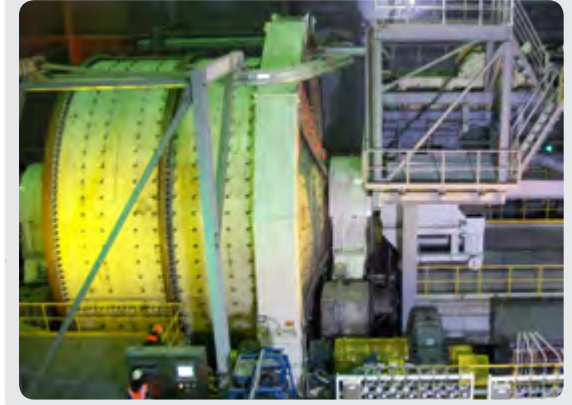
CRUSHING



MATERIAL HANDLING



GRINDING SAG MILL



GRINDING BALL MILL



FLOTATION



THICKENING

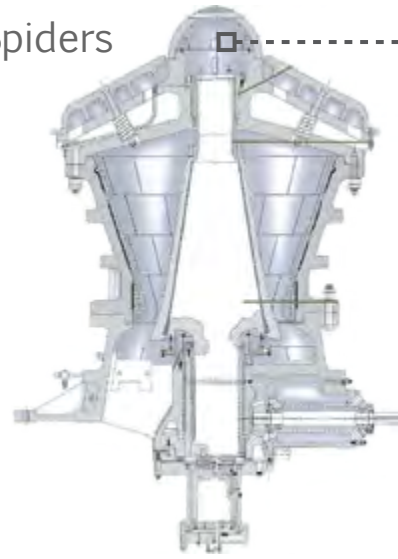


PYRO / SMELTING



GYRATORY CRUSHERS

Spiders



CONE CRUSHERS

Spiral-bevel gear sets



Eccentrics



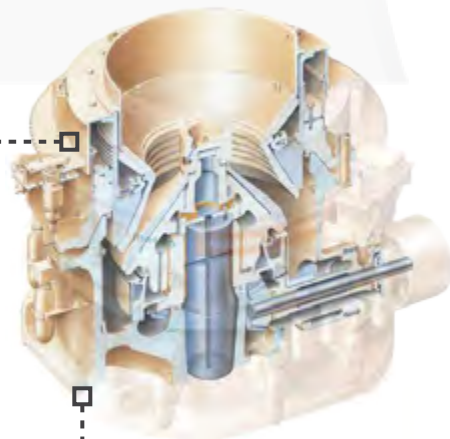
Adjustment rings



Heads



Cone crusher body



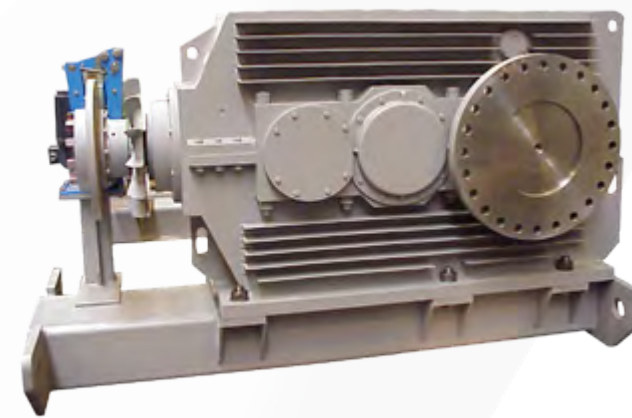
CONVEYORS



ERmaster[®] for belt conveyors



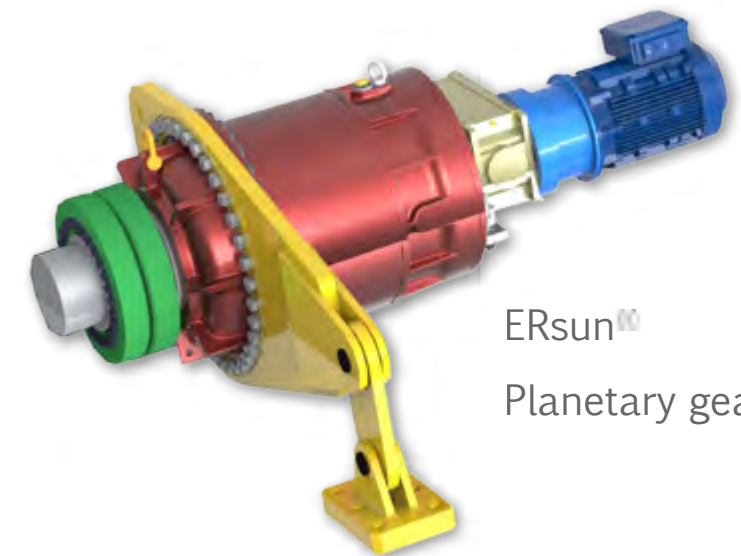
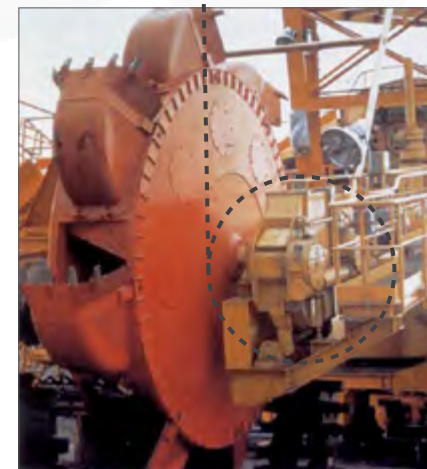
Worm gear drives



BUCKET WHEELS

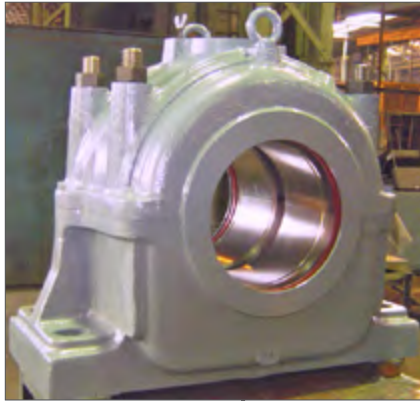
Bucket wheel

Bogiflex[®] gearbox



ERsun[®]
Planetary gearbox

Bearings



Girth gears



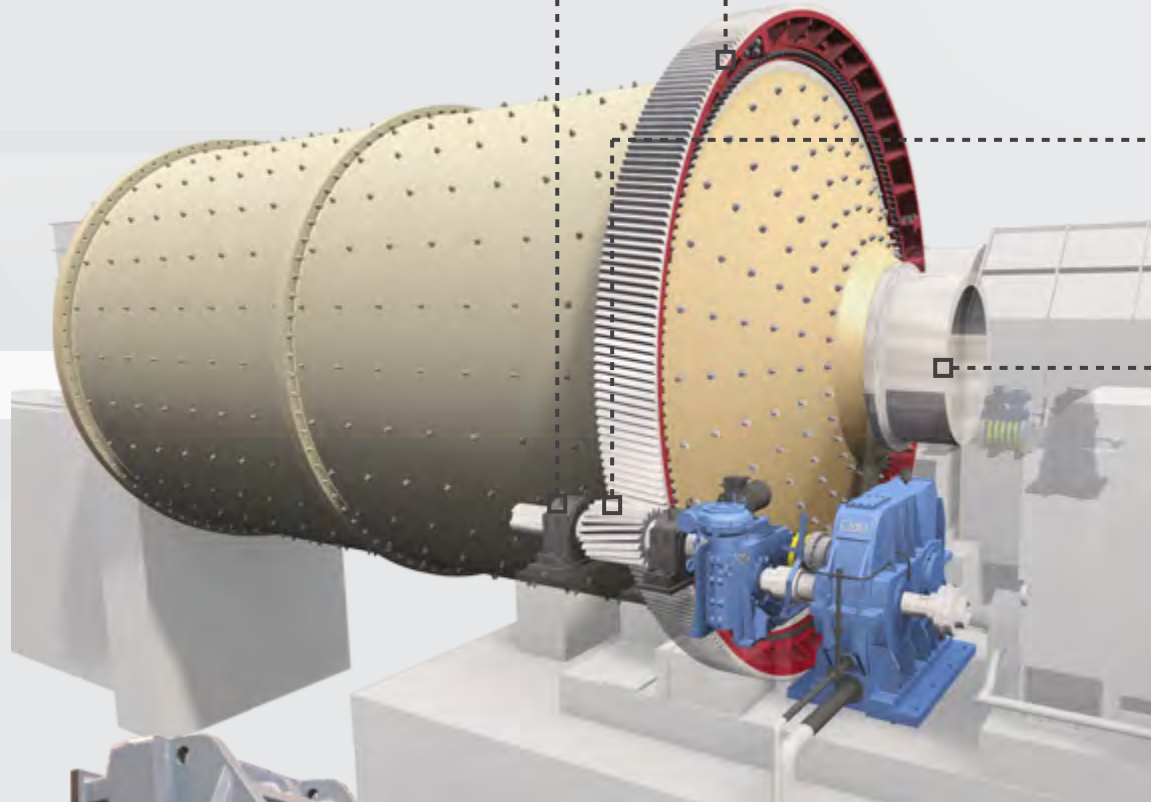
Scan this QR Code to watch the video of VBCM16:



Ball Mill head in halves



SAG Mill Heads



Pinions



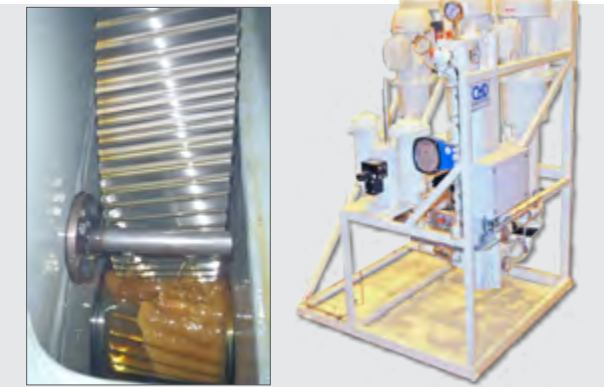
Pinions – sub-assembled



Trunnions

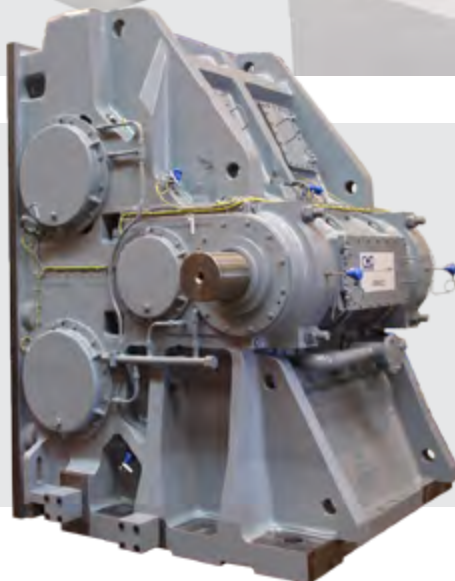


Lubrication units



■ Compact lateral drives

Millrex [®]
Dual-pinion self-aligning drive
(2,3 & 4stages)

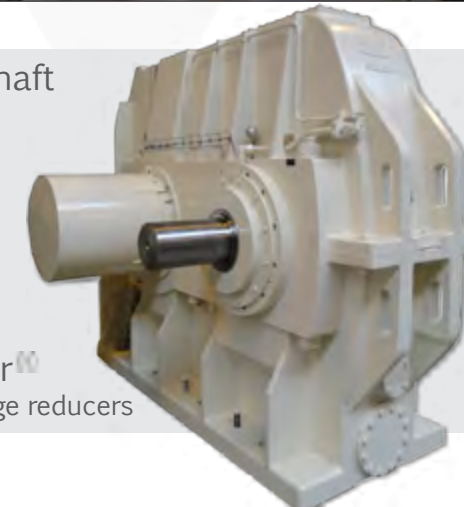


■ Parallel-shaft reducers

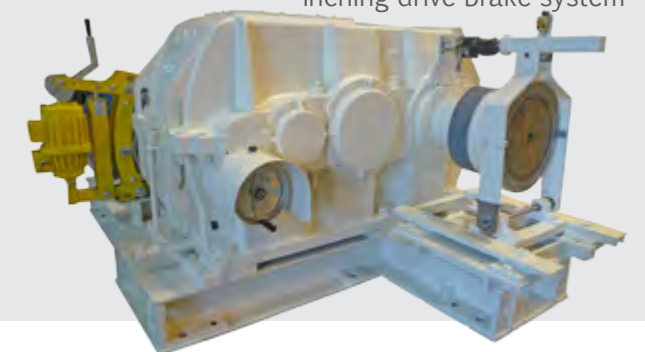


ERmill [®]
Single-pinion self-aligning drive

ERmaster [®]
Single and multi-stage reducers



ERmaster [®]
Inching drive brake system



Rotary dryer

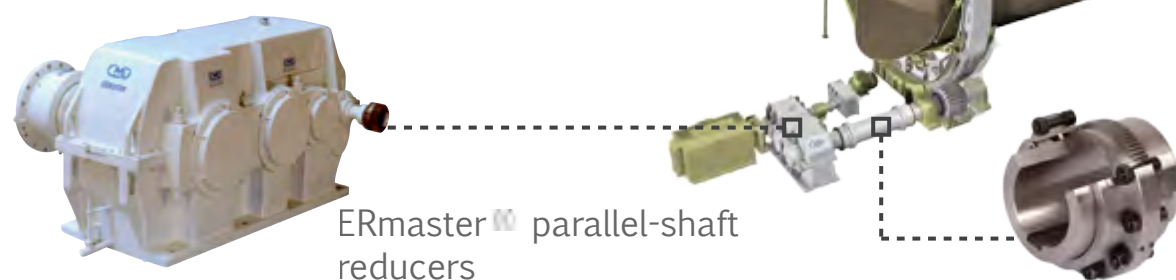
Lime kiln



Shafted support rollers



Bogiflex[®] KGD self-aligning kiln gear drive



ERMaste[®] parallel-shaft reducers



Support rings (cast steel or ductile iron)



Bogiflex[®] "type BFT" central drive

THICKENING AND CLARIFICATION

Worm gear drives (rotation/lift functions)



FLOTATION AND AGITATION



ERmaster¹⁰⁰ reducer units for high capacity cells

OUR ADDED VALUE



Test bench

- Multiple in-house test benches for product development and run-testing of custom gearboxes

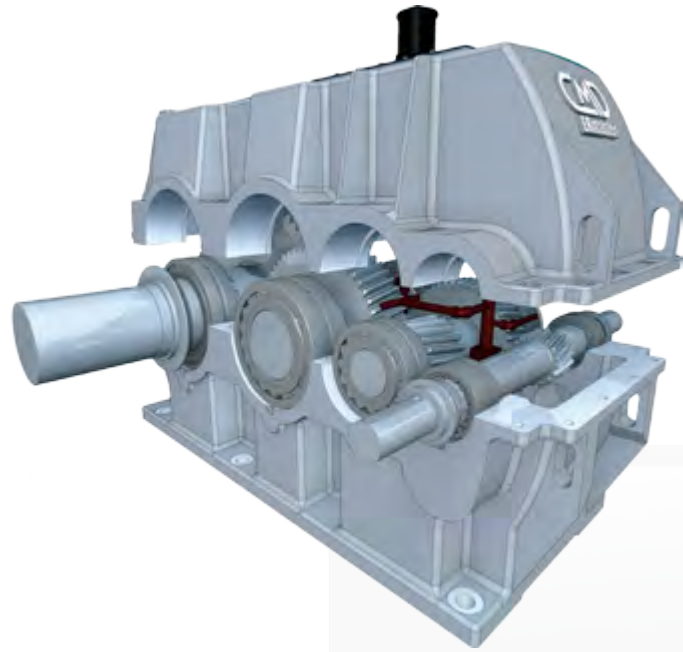
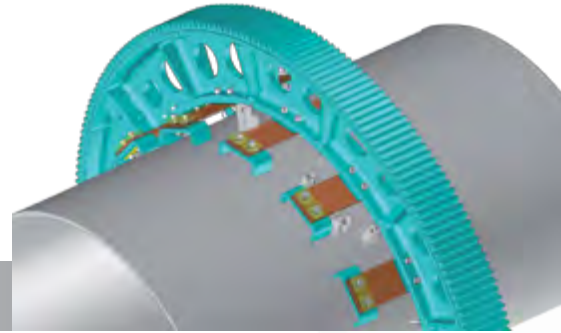


- Gear drive training center

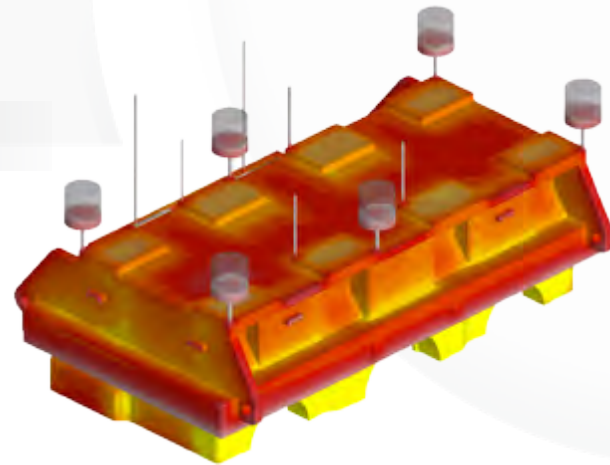


OUR ADDED VALUE

R&D - ENGINEERING

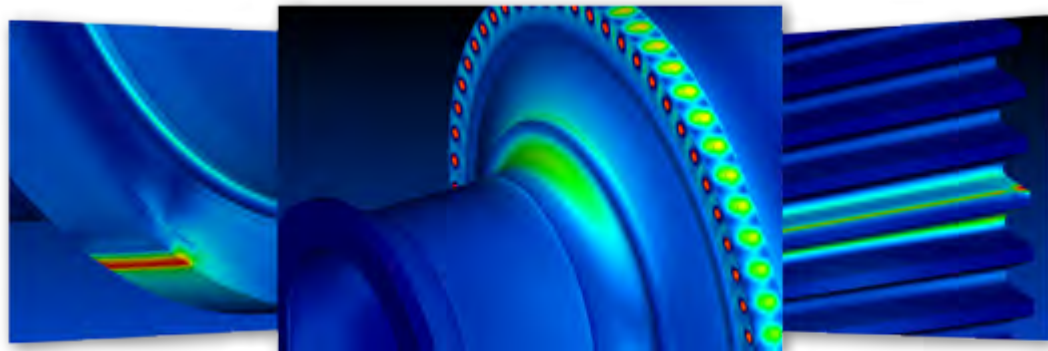


- Finite Element Analysis (FEA)
- Solidification and Flow Simulation Modeling
- Mechanical drive train design (open and enclosed gearing)
- Development of custom mechanical couplings
- Conversion of fabrications to castings (iron or steel)
- Technical staff of approx. 100 engineers/technicians
- Multiple patents each year



MATERIAL DEVELOPMENT

- Proprietary metal casting grades (FerryNod®, Ferrynox)
- Full metallurgical test lab



SERVICE



Over thirty qualified engineers and technicians within Groupe CIF are capable of travelling the world over for operations ranging from installation and commissioning of supplied products, to preventive maintenance and technical assessments.

- Reverse Engineering
- Supervision - Commissioning
- Monitoring
- Assessments/Recommendations
- Refurbishment of all types/brands of gearboxes





Compagnie Industrielle et Financière de Bussy

Vecqueville - BP 33
F-52301 JOINVILLE CEDEX
Tél. : +33 (0)3 25 94 04 24
www.legroupecif.com



June 2017



FERRY CAPITAIN
Usines de Bussy
Vecqueville - BP 33
F-52301 JOINVILLE
CEDEX
Tél. : +33 (0)3 25 94 04 24
www.ferrycapitain.fr



CMD
36, Avenue de l'Europe
Immeuble Étendard BP43
F-78142 VELIZY-VILLACOUBLAY
Tél. : +33 (0)1 34 63 12 24
www.cmdgears.com



FCMD
Schmiedestrasse 5
D - 45527 HATTINGEN
Tel. : +49 (0) 2324 686 520
www.fcmd-gmbh.de



FAD
17, Rue Pierre Bériot
BP 329
F-59723 DENAIN CEDEX
Tél. : +33 (0)3 27 21 44 00
www.fad-denain.com



ATELIERS ROCHE
15, Boulevard Marcelin
Berthelot - BP50
F-51052 REIMS CEDEX
Tél. : +33 (0)3 26 07 17 65
www.ateliersroche.fr
www.roche-meshmaker.com



AHD
11, Avenue du Général
Sarrail
F-52100 SAINT DIZIER
Tel. : +33 (0)3 25 56 75 00
www.ahd.fr